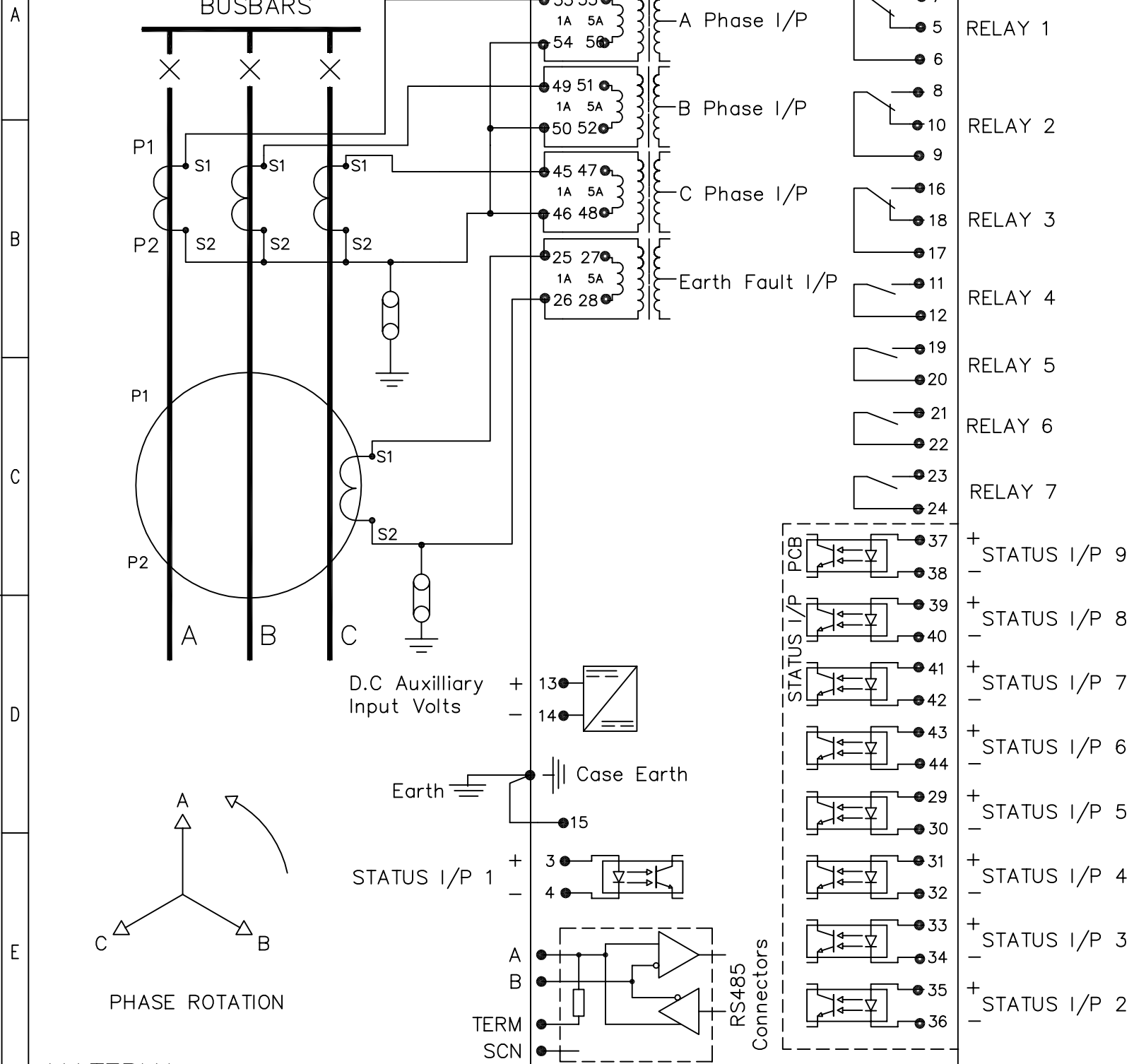
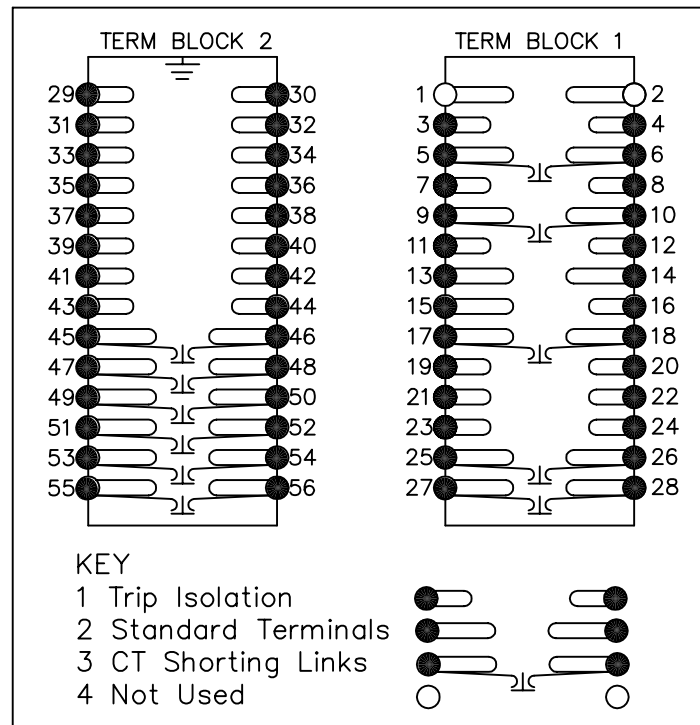


IF IN DOUBT ASK
DO NOT SCALE

RHO3 E6 Case Size



TERMINAL BLOCKS VIEWED FROM REAR



**FOR INFORMATION ONLY
UNCONTROLLED COPY
NOT SUBJECT TO UPDATE**

- NOTES
- 1 CT CIRCUITS ARE SHOWN CONNECTED TO RELAY 1 AMP TAP. USE ALTERNATIVE TAP FOR 5AMP RATED CTs.
 - 2 CT & EARTH CONNECTIONS ARE TYPICAL ONLY.
 - 3 FOR TERMINAL IDENTIFICATION & WIRING DIAGRAM. SEE 2681W50003 (A3) (EPSILON)

MATERIAL:

Dimensions in millimetres : Surface texture in micrometres.
Machine where marked ✓
For explanation of dimensions, tolerances, notes etc. see B.S.308.
Limit on untoleranced unmachined dimensions ± _____
Limits on untoleranced machined dimensions to B.S.4500;
i.e. up to 6±0.1; over 30 to 120±0.3; over 315±0.8;
over 6 to 30±0.2; over 120 to 315±0.5;
General unmachined angular tolerance ± _____

Finish: _____
Treatment: _____

Title:
TYPICAL SCHEMATIC DIAGRAM FOR RHO 3 MOTOR PROTECTION
(SEPERATE CORE BALANCE CTs, RS485 COMMS) E6 CASE

**Reyrolle Protection
Hebburn.**

First used on: _____
Similar Articles: 2681W10002
Supersedes: _____
Drg. No. **2681W10008**

DRAWN S KEEBLE	CHECKED RDW	APPROVED RD.WATSON	DATE 07/11/05	IE	OPS	PCP	Purch.Spec. TQ	EAC	CE	STD	A3
----------------	-------------	--------------------	---------------	----	-----	-----	----------------	-----	----	-----	----